

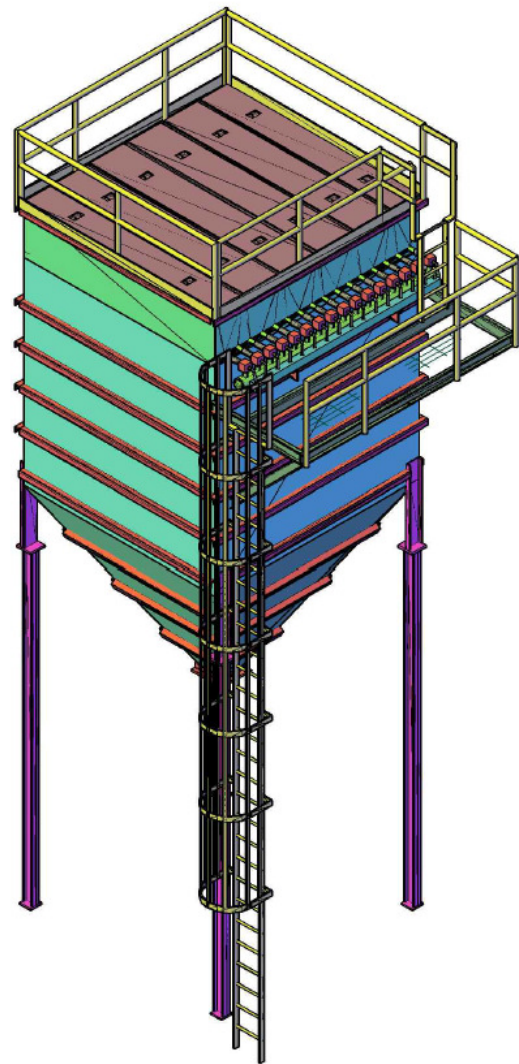
## PRODUCT BULLETIN

### AMERAIR STANDARD PULSE JET FABRIC FILTERS

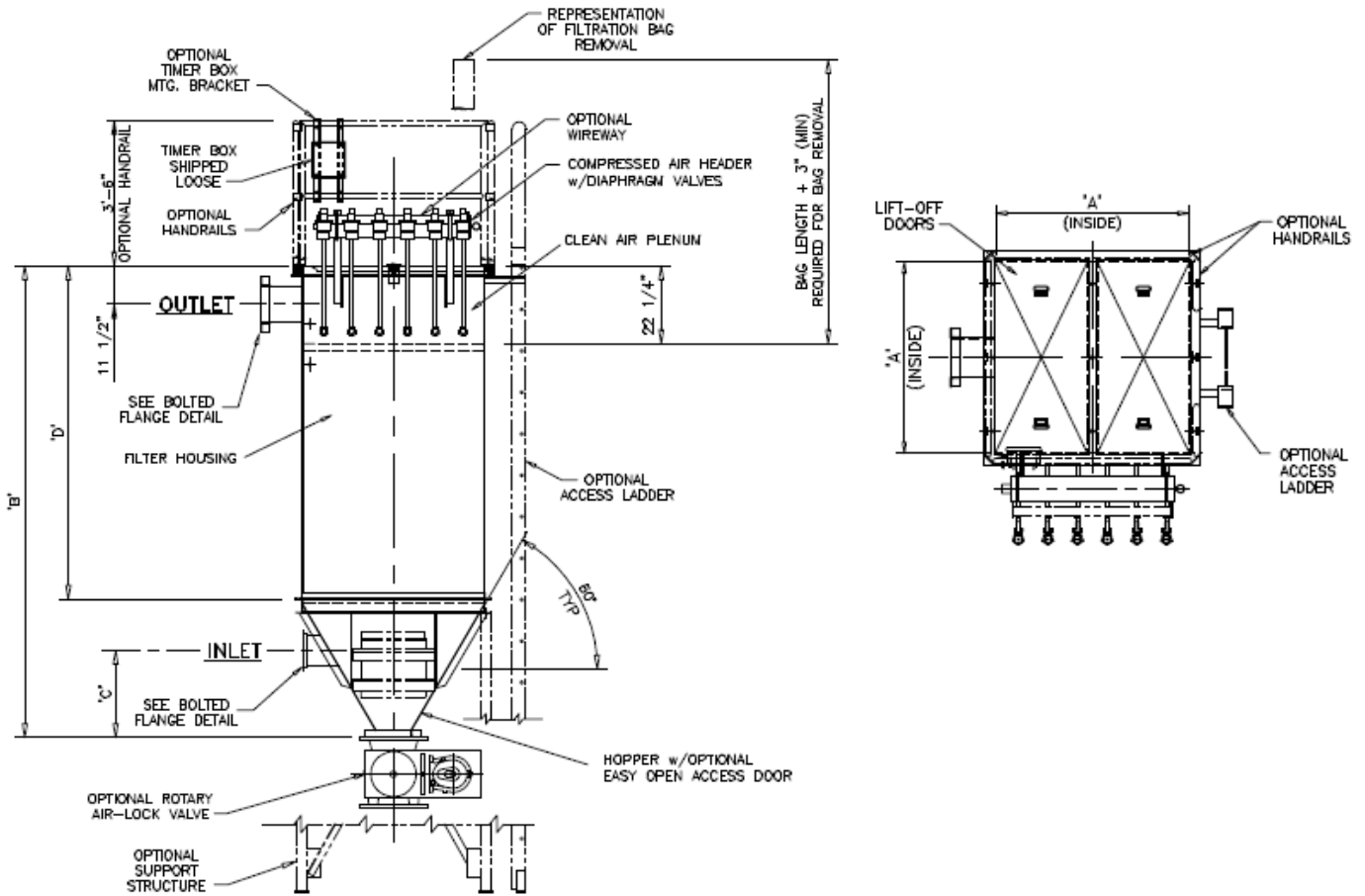
In an effort to provide our customers with the highest quality line of standardized pulse jet fabric filters at the most competitive pricing, Amerair announces its affiliation with fabricator, IFC who will manufacture this product range under license. These collectors are ideal for gas volumes ranging from as little as 2,500 ACFM up to 50,000 ACFM in single units or multiple sets. The same superior engineering and design found in Amerair's larger fabric filters is now available in standardized single compartment modules shipped in most cases with support steel attached ready for installation on the customer's footings. Or, let IFC handle the turnkey supply and installation entirely.

Although standard in design, customizing options including: access platforms and ladders, inlet and outlet dampers, rotary air lock discharge, automated pulse cleaning, temperature and pressure instrumentation are available.

Construction is based on 12 or 10 gauge up to 3/16" or 1/4" angle reinforced plate and a wide range of filter media selection from polyester to PPS, woven fiberglass and others. See the sizing and dimension table overleaf for your filtration volume requirements. Then contact Amerair or Amerair's local agent representative for additional details and ordering.



**LIFT OFF ROOF DOOR MODEL  
FOR  
INDOOR INSTALLATION**



CLOTH AREA SQ. FT.	MODEL NO.	BAG LENGTH FT.	BAG ARRAY	'A'	'B'	'C'	'D'
88.3	RD-06-009	*6 ft.	3x3	2'-4"	9'-10"	11"	8'-1"
157.1	RD-06-016	*6 ft.	4x4	3'-0"	10'-5"	1'-5"	8'-1"
245.4	RD-06-025	6 ft.	5x5	3'-8"	11'-0"	1'-10"	8'-1"
353.4	RD-06-036	6 ft.	6x6	4'-4"	11'-7"	2'-2"	8'-1"
481.1	RD-06-049	6 ft.	7x7	5'-0"	12'-2"	2'-7"	8'-1"
628.3	RD-06-064	6 ft.	8x8	5'-8"	12'-7"	3'-0"	8'-1"
471.2	RD-08-036	8 ft.	6x6	4'-4"	13'-7"	2'-2"	10'-1"
641.4	RD-08-049	8 ft.	7x7	5'-0"	14'-2"	2'-7"	10'-1"
837.8	RD-08-064	8 ft.	8x8	5'-8"	14'-7"	3'-0"	10'-1"
1060.3	RD-08-081	8 ft.	9x9	6'-4"	15'-2"	3'-5"	10'-1"
1309	RD-08-100	8 ft.	10x10	7'-0"	15'-8"	3'-9"	10'-1"
1583.9	RD-08-121	8 ft.	11x11	7'-8"	16'-3"	4'-1"	10'-1"
1885	RD-08-144	8 ft.	12x12	8'-4"	16'-10"	4'-6"	10'-1"
2212.2	RD-08-169	8 ft.	13x13	9'-0"	17'-5"	5'-0"	10'-1"
1325.4	RD-10-081	10 ft.	9x9	6'-4"	17'-2"	3'-5"	12'-1"
1636.3	RD-10-100	10 ft.	10x10	7'-0"	17'-8"	3'-9"	12'-1"
1979.9	RD-10-121	10 ft.	11x11	7'-8"	18'-3"	4'-1"	12'-1"
2356.2	RD-10-144	10 ft.	12x12	8'-4"	18'-10"	4'-6"	12'-1"
2765.3	RD-10-169	10 ft.	13x13	9'-0"	19'-5"	5'-0"	12'-1"
1590.5	RD-12-81	12 ft.	9x9	6'-4"	19'-2"	3'-5"	14'-1"
1963.6	RD-12-100	12 ft.	10x10	7'-0"	19'-8"	3'-9"	14'-1"
2375.9	RD-12-121	12 ft.	11x11	7'-8"	20'-3"	4'-1"	14'-1"
2827.5	RD-12-144	12 ft.	12x12	8'-4"	20'-10"	4'-6"	14'-1"
3318.4	RD-12-169	12 ft.	13x13	9'-0"	21'-5"	5'-0"	14'-1"

Multiple sets up to 50,000 ACFM in custom arrangements are available